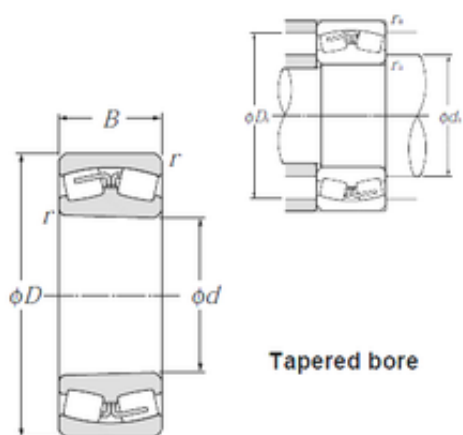




# Qingdao Clunt Bearing Co., Ltd.

## 420 mm x 620 mm x 150 mm NTN 23084BK spherical roller bearings



Bearing No. 23084BK

Size	420x620x150 mm
Bore Diameter	420 mm
Outer Diameter	620 mm
Width	150 mm
d	420 mm
D	620 mm
B	150 mm
C	150 mm
r min.	5 mm
da min.	442 mm
Da max.	598 mm
ra max.	4 mm
Weight	152 Kg
Basic dynamic load rating (C)	3 100 kN
Basic static load rating (C0)	6 400 kN
(Grease) Lubrication Speed	490 r/min
(Oil) Lubrication Speed	640 r/min
Calculation factor (e)	0,24
Calculation factor (Y0)	2,78
Calculation factor (Y1)	2,85

23084BK Bearing 2D drawings and 3D CAD models